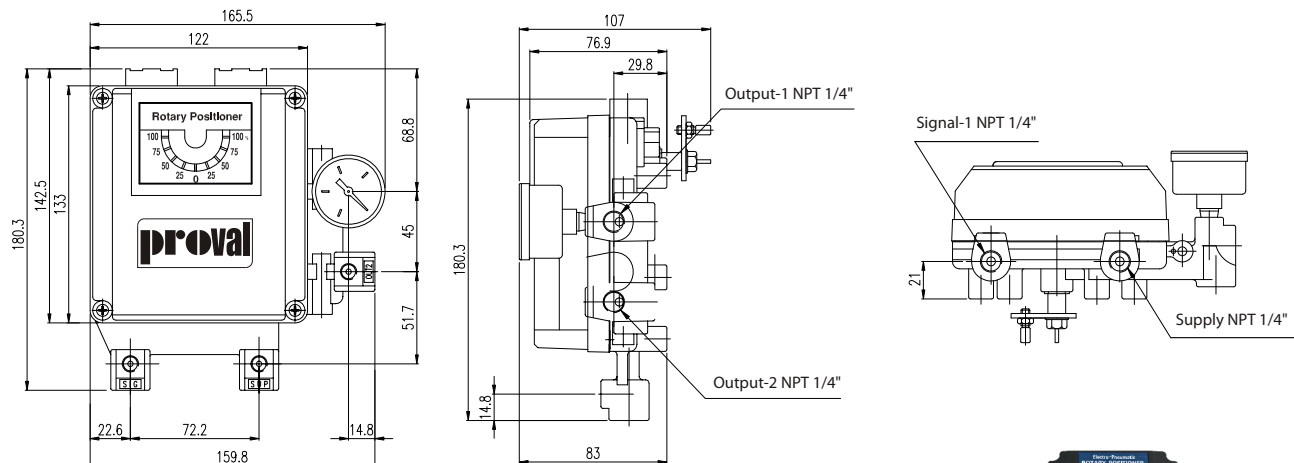


A230 Pneumatic / Electropneumatic Positioners

Proval positioners are used for modulating service of rotary pneumatic actuators. They can be applied on a rotary actuator to control a butterfly, ball, plug valve or a damper.

Positioners are available as, pneumatic, electro-pneumatic or smart (digital) type depending on customers process requirements.

A230 PRP Pneumatic Positioners (P/P) : Pneumatic positioners are working with 3-15 PSI air signal and can be applied both on double and single acting actuators.

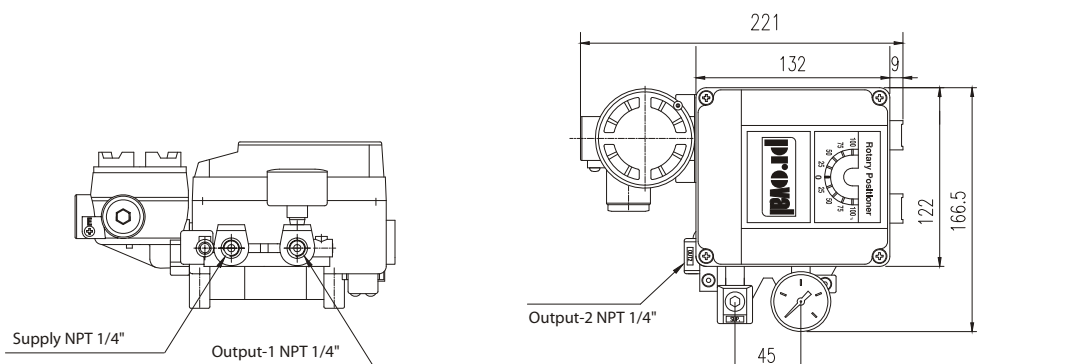


| | |
|------------------------|---|
| Description | Proval Brand, A230 PRP Series P/P Positioners |
| Type | Rotary Tip (90° Part Turn) |
| Body Material | Powder Epoxy Coated Aluminum Die Casting |
| Input Signal | 3-15 PSI |
| Output Signal | Optionally DC 4/20 mA or 0-1 kOhm |
| Explosion Proof | Ex dm IIB |
| Air Consumption | 3 lt/min |
| Working Temp. | -20° C / +70° C |
| Flow Capacity | 80 lt/min |



A230 PRE

A230 PRE Electro-Pneumatic Positioners (E/P) : E/P Positioners are working with DC 4-20 mA or 0-10 Volt input signal and generate modulating control on rotary or linear valves. A230 PRE positioners can be applied on both double acting and single acting actuators.



| | |
|------------------------|---|
| Description | Proval Brand, A230 Series Pneumatic Positioners |
| Type | Rotary Type (90° Part Turn) |
| Body Material | Powder Epoxy Coated Aluminum Die Casting |
| Input Signal | DC 4/20 mA |
| Output Signal | Optionally DC 4/20 mA or 0-1 kOhm |
| Explosion Proof | Ex dm IIB |
| Air Consumption | 3 lt/min |
| Working Temp. | -20° C / +70° C |
| Flow Capacity | 80 lt/min |

