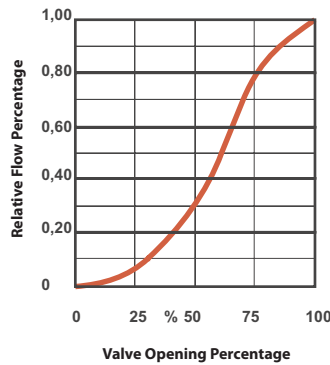
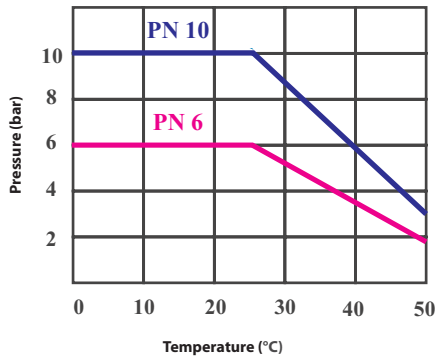
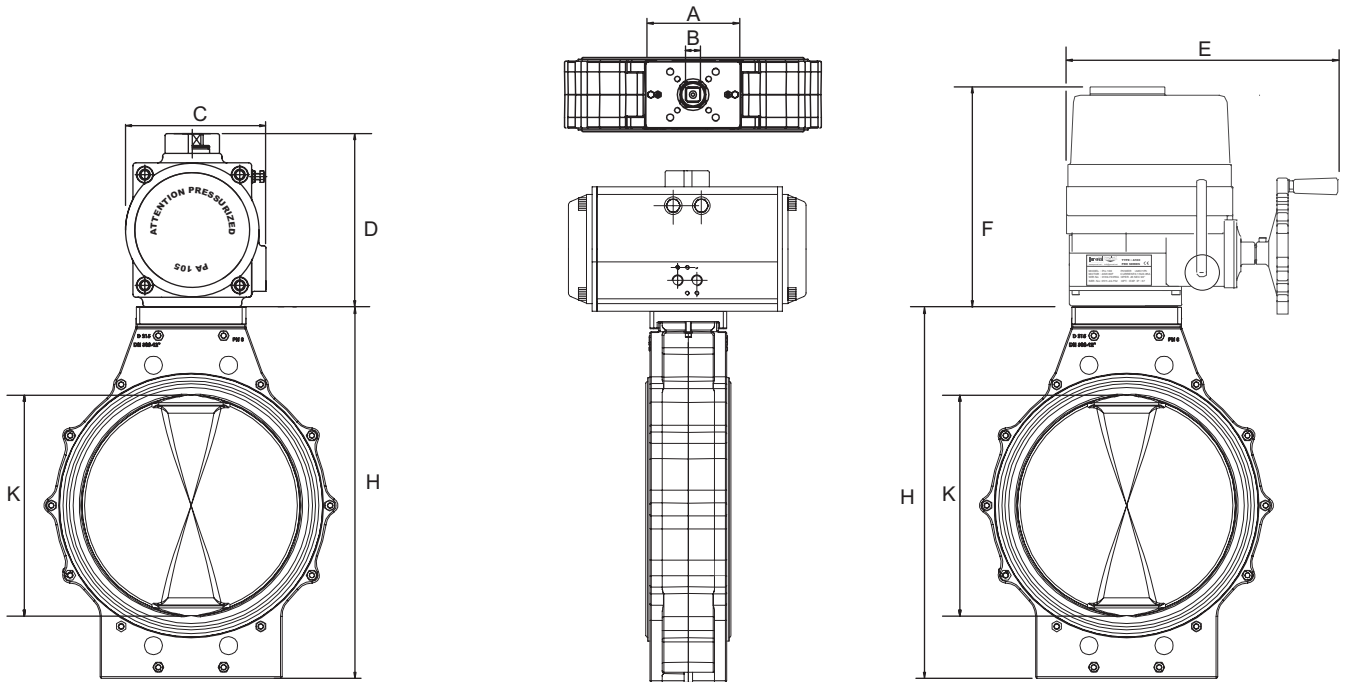




## V115 U-PVC Butterfly Valves

Proval V115 Series, U-PVC butterfly valves are mainly used in water, wastewater, pool as well as common industrial applications. UV resistant and antioxidant additives on body and disc material provides longer life cycle and more healthy application of U-PVC butterfly valves

Direct mounting ISO5211 top flange provides easy automation solutions for V115 series U-PVC Butterfly valves.



Pneumatic Actuator  
U-PVC Butterfly Valve

### Dimensions (mm)

Size (DN)	Size (D)	B	ISO 5211 Flange	L	A	H	ØK	Pn. Act. Model	C	D	Elc. Act. Model	E	F	Torque (Nm)	Kv (m3/h)
50	63	11	F05 / F07	42	110	211	65	52 DA	72	92	PRO 040	125	145	12	110
65	75	11	F05 / F07	42	110	211	65	52 DA	72	92	PRO 040	125	145	18	110
80	90	11	F05 / F07	42	110	235	80	63 DA	83	108	PRO 040	125	145	20	245
100	110	14	F05 / F07	48	110	258	100	75 DA	95	120	PRO 060	125	150	30	390
125	125-140	14	F05 / F07	60	110	290	125	75 DA	95	120	PRO 060	125	150	50	690
150	160	14	F07 / F10	68	151	331	150	83 DA	100	130	PRO 080	130	211	60	995
200	200-225	14	F07 / F10	82	151	403	200	92 DA	108	140	PRO 160	338	259	80	2100
250	250-280	22	F07 / F10	94	151	457	250	105 DA	122	153	PRO 160	338	259	160	3195
300	315	22	F07 / F10	106	151	512	300	125 DA	142	175	PRO 240	338	259	290	5100