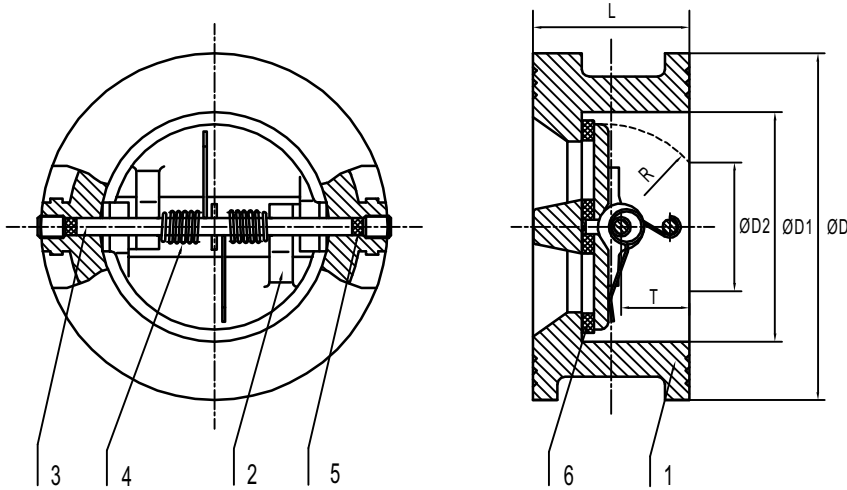


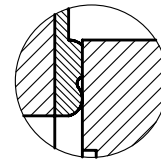


## V703 Dual Plate Check Valves

Proval V702 Series Dual Plate Check Valves are used to prevent the back flow in water, HVAC and other industrial applications. Spring closed check valves allow assembly both in vertical and horizontal pipe lines and have minimum pressure lost in comparison with other type check valves.



B  
6 : 1



### Design Standards

Design Standard	API6D
Flange Standards	ANSI 150, PN6, 10, 16, 25, 40
Face to Face Standards	EN558-1 / API594

### Material List

No	Part Name	Materials
1	Body	GG25, GGG40, AISI304, AISI316
2	Disc	GGG40, AISI304, AISI316, Bronz
3	Stem	AISI316
4	Spring	AISI316
5	Bushing	PTFE
6	Seal	EPDM, NBR, PTFE, Viton

### Dimensions (mm)

Size (DN)	ØD	ØD1	ØD2	L		R	T
				EN 558-1	API 594		
50	107	65	43,3	43	54	28,8	19
65	127	80	60,2	46	54	28,8	20
80	142	94	66,4	64	57	36,1	28
100	162	117	90,8	64	64	43,4	27
125	192	145	116,9	70	70	52,6	30
150	218	170	144,6	76	76	65,7	31
200	273	224	198,2	89	95	78,6	33
250	328	265	233,7	114	108	104,4	40
300	378	310	279,05	114	143	127	43
350	438	360	327,87	127	184	148,3	45
400	489	410	375,88	140	191	172,4	52
450	555	450	414,06	152	203	197,4	58
500	594	505	467,83	152	213	217,8	58
600	690	624	569,59	178	222	241	63