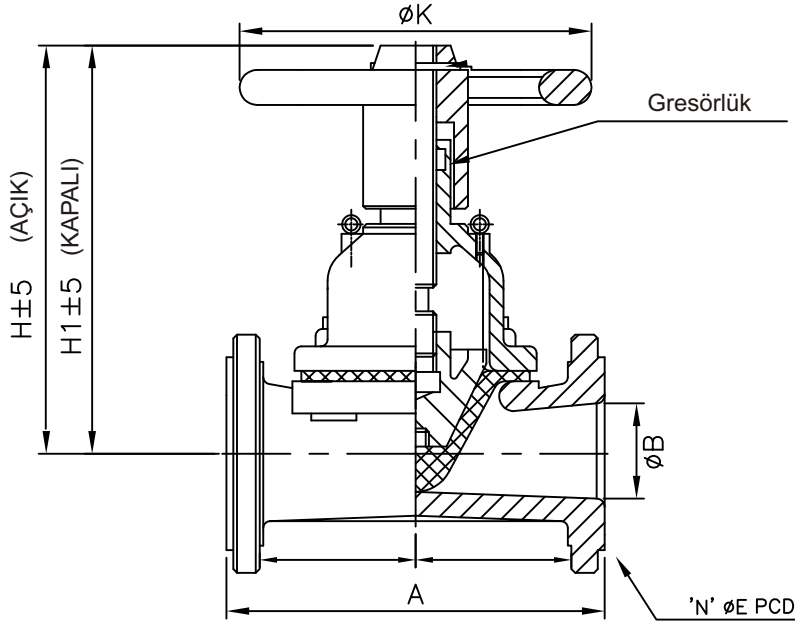


## V402 Düz Tip Diyaframlı Vanalar



Paslanmaz Gövdeli  
Düz Tip Diyaframlı Vana

### Malzeme Listesi

Parça	Mevcut Malzemeler
Gövde/Bonet	GG25 Pik
	GGG40 Stero
	WCB Çelik
	ASİ304
Diyafram	ASİ316
	EPDM
	NBR
	Butyl
	Viton
	Silikon
	PTFE



Komple Elastomer Kaplı Gövdeli  
Düz Tip Diyaframlı Vana

### Opsiyonel Özellikler,

- Dişli Bağlantılı
- Pnömatik Aktüatörlü
- Kilitleme Volanlı

### Ölçüler (mm)

Ölçü (DN)	A (Kaplamaşız İç Gövde)		A (Lastik Kaplı İç Gövde)		ØB	ØK	H (Açık)	H1 (Kapalı)	PN10			Ağırlık (Kg)	
	BS5156	DIN3202-F1	BS5156	DIN3202-F1					Eksen	ØE	N	BS5156	DIN3202-F1
15	108	130	114	136	15	100	110,0	102,0	65	14	4	3,3	3,8
20	117	150	123	156	21	100	108,0	100,0	75	14	4	3,6	4,0
25	127	160	133	166	26	120	122,5	120,0	85	14	4	4,3	4,8
32	146	180	152	186	32	120	130,5	118,0	100	18	4	6,5	7,5
40	159	200	165	206	38	120	131,5	119,0	110	18	4	7,0	8,0
50	190	230	196	236	51	164	194,5	177,0	125	18	4	10,5	11,5
65	216	290	222	296	64	185	220,0	196,0	145	18	4	15,5	16,5
80	254	310	260	316	76	200	279,0	249,0	160	18	8	22,5	25,5
100	305	350	313	358	102	220	293,5	261,0	180	18	8	30,0	32,0
125	356	400	364	408	127	250	309,5	272,0	210	18	8	44,0	46,0
150	406	480	414	488	152	285	413,0	362,0	240	22	8	63,0	69,0
200	521	600	529	608	203	340	475,5	413,0	295	22	8	112,0	126,0
250	635	730	643	738	254	395	595,5	523,0	350	22	12	170,0	185,0
300	749	850	757	858	305	445	748,0	653,0	400	22	12	158,0	273,0